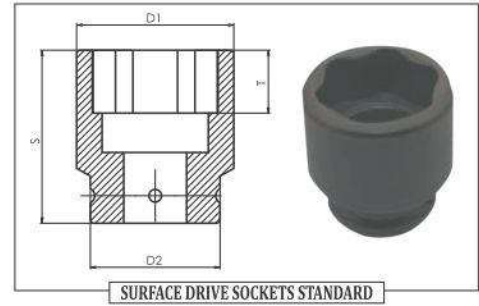


1" SQUARE DRIVE

SURFACE DRIVE SOCKETS STANDARD

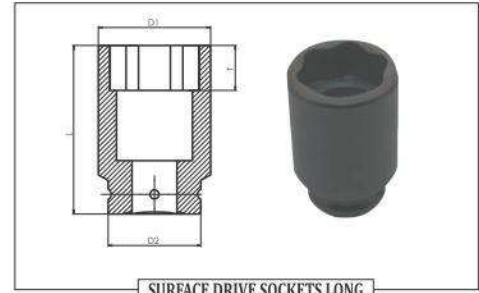
PART NO.	A/F mm	D1 mm	D2 mm	S mm	T mm	Weight kg
TS518	18	34	54	59	11	0.61
TS519	19	35	54	59	11	0.63
TS521	21	36	54	59	12	0.62
TS522	22	37	54	59	12	0.63
TS524	24	38	54	59	14	0.62
TS527	27	44	54	59	16	0.65
TS530	30	50	54	61	17	0.69
TS532	32	52	54	61	19	0.65
TS533	33	54	54	61	19	0.68
TS534	34	54	54	61	20	0.65



SURFACE DRIVE SOCKETS STANDARD

SURFACE DRIVE SOCKETS LONG

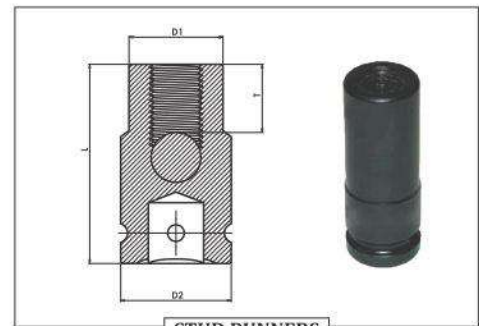
PART NO.	A/F mm	D1 mm	D2 mm	L mm	T mm	Weight kg
TSL527	27	44	54	100	16	0.97
TSL530	30	50	54	100	17	1.15



SURFACE DRIVE SOCKETS LONG

STUD RUNNERS

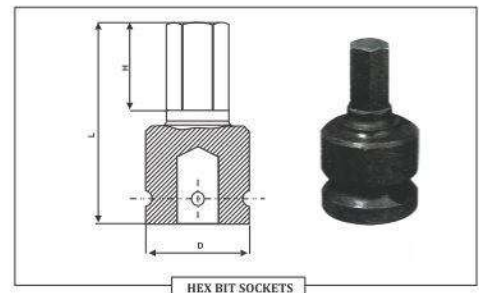
PART NO.	A/F mm	PITCH mm	D mm	d mm	L mm	T mm	Weight kg
TR520	20	2.5	38	54	100	25	0.96
TR522	22	2.5	42	54	100	25	1.05
TR524	24	3	44	54	100	25	1.07
TR527	27	3	48	54	100	28	1.19
TR530	30	3.5	52	54	100	30	1.30
TR533	33	3.5	57	54	110	38	1.63
TR536	36	4	60	54	110	40	1.79
TR539	39	4	65	54	110	44	2.00
TR542	42	4.5	68	54	115	47	2.25



STUD RUNNERS

HEX BIT SOCKET

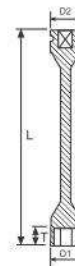
Part No.	A/F Inch	A/F mm	L mm	H mm
TH510F	3/8	-	81	26
TH512F	1/2	-	84	30
TH514F	9/16	-	86	30
TH516F	5/8	-	98	40
TH517	-	17	100	40
TH519	-	19	107	45
TH519F	3/4	-	107	45
TH522	-	22	107	45
TH522F	7/8	-	112	50
TH524	-	24	120	50
TH524F	15/16	-	120	50
TH525F	1	-	120	50
TH527	-	27	120	50
TH527F	1.1/16	-	120	50
TH530	-	30	120	50
TH530F	1.1/8	-	120	50
TH532	-	32	120	50
		36	120	50



HEX BIT SOCKETS

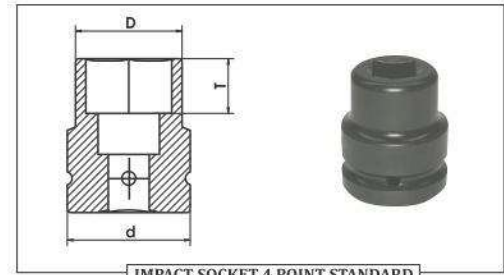
TORSION BARS

PART No.	MM	A/F Inch	COLOR	D1	D2	L	T mm	Torque (N-M)	Weight
TB524BR	24		BROWN	42.0	54	305	28.0	300.0	1100
TB527G	27		GREEN	46.0	54	305	28.0	350.0	1150
TB527GF		1.1/16"	GREEN	46.0	54	305	28.0	350.0	1150
TB527C	27		CREAM	46.0	54	305	28.0	450.0	1200
TB530BL	30		BLUE	50.0	54	305	28.0	450.0	1250
TB530BLF			BLUE	50.0	54	305	28.0	450.0	1250
TB530Y	30	1.3/16"	YELLOW	50.0	54	305	28.0	350.0	1300
TB532LB	32		LIGHT BLUE	51.0	54	305	28.0	500.0	1300
TB532R	32		RED	51.0	54	305	28.0	600.0	1350
TB532B	32		BLACK	51.0	54	305	28.0	700.0	1400
TB533W	33		WHITE	54.0	54	305	28.0	500.0	1400
TB533BR	33		BROWN	54.0	54	305	28.0	600.0	1450
TB533GR	33		GREEN	54.0	54	305	28.0	650.0	1500



IMPACT SOCKET 4 POINT STANDARD

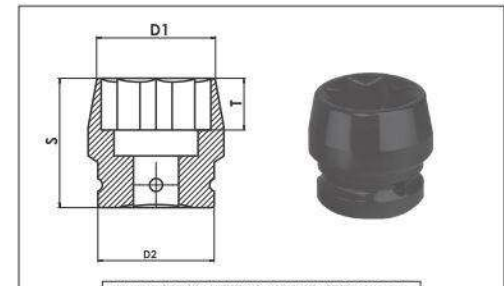
PART NO.	A/F mm	D1 mm	D2 mm	L mm	T mm	Weight kg
T4516	16	35	54	64	16	0.63
T4517	17	36	54	64	17	0.63
T4518	18	38	54	64	18	0.63
T4519	19	40	54	64	19	0.65
T4520	20	42	54	64	20	0.69
T4521	21	44	54	64	20	0.69
T4522	22	46	54	64	20	0.70
T4524	24	52	54	70	35	0.84
T4525	25	53	54	70	37	0.84
T4527	27	54	54	70	40	0.85
T4528	28	57	54	70	25	0.93
T4529	29	57	54	75	25	0.93
T4530	30	58	54	75	30	0.97
T4532	32	62	54	75	30	1.06
T4533	33	64	54	75	30	1.21
T4535	35	67	54	75	30	1.19
T4536	36	69	54	75	30	1.25
T4538	38	72	54	75	30	1.32
T4540	40	76	54	80	35	1.56
T4541	41	78	54	80	35	1.63
T4542	42	80	62	80	35	1.87



IMPACT SOCKET 4 POINT STANDARD

IMPACT SOCKET 8 POINT STANDARD

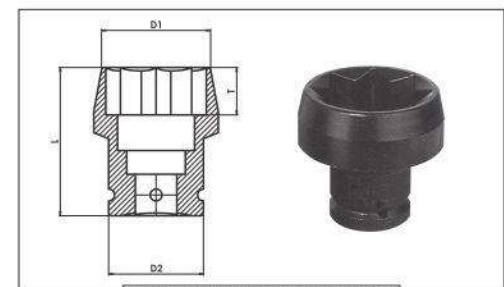
PART NO.	mm	A/F Inch	D1 mm	D2 mm	S mm	T mm	Weight gm
T8532F		1.1/4"	60	54	58	17.0	710
T8533F		1.5/16"	63	54	58	19.0	760
T8535	35		67	60	58	19.0	870
T8535F		1.3/8"	67	60	58	19.0	870
T8536F		1.7/16"	67	60	58	19.0	890
T8538	38		70	60	62	22.0	1000
T8538F		1.1/2"	70	60	62	22.0	1000
T8539F		1.9/16"	78	60	62	22.0	1170
T8541	41		78	60	62	22.0	1660
T8541F		1.5/8"	78	60	62	22.0	1660
T8543	43		82	60	67	25.0	1320
T8543F		1.11/16"	82	60	67	25.0	1320
T8544F		1.3/4"	82	60	67	25.5	1300
T8546	46		86	60	67	25.5	1390
T8546F		1.13/16"	86	60	67	25.5	1390
T8547F		1.7/8"	86	60	70	27.0	1450
T8551	51		92	60	70	27.0	1600
T8551F		2"	92	60	70	27.0	1600
T8554	54		100	60	75	30.0	1780
T8554F		2.1/8"	100	60	75	30.0	1780
T8555F		2.3/16"	100	60	78	32.0	2040
T8557	57		100	60	78	32.0	1970
T8557F		2.1/4"	100	60	78	32.0	1970
T8558F		2.3/8"	105	60	82	35.0	2970
T8559F		2.1/2"					



IMPACT SOCKET 8 POINT STANDARD

IMPACT SOCKET 8 POINT LONG

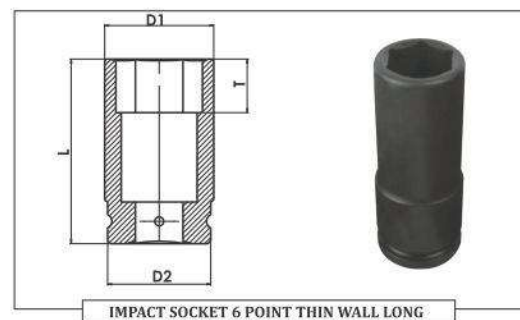
PART NO.	mm	A/F Inch	D1 mm	D2 mm	L mm	T mm	Weight gm
T8L532F		1.1/4"	60	54	81	17.0	1000
T8L533F		1.5/16"	63	54	81	19.0	1040
T8L535	35		67	60	81	19.0	1300
T8L535F		1.3/8"	67	60	81	19.0	1300
T8L536F		1.7/16"	67	60	81	19.0	1260
T8L538	38		70	60	87	22.0	1430
T8L538F		1.1/2"	70	60	87	22.0	1430
T8L539F		1.9/16"	78	60	88	22.0	1670
T8L541	41		78	60	88	22.0	1670
T8L541F		1.5/8"	78	60	88	22.0	1670
T8L543	43		82	60	88	25.0	1800
T8L543F		1.11/16"	82	60	88	25.0	1800
T8L544F		1.3/4"	82	60	88	25.5	1800
T8L546	46		86	60	88	25.5	1900
T8L546F		1.13/16"	86	60	88	25.5	1900
T8L547F		1.7/8"	86	60	88	27.0	1900
T8L551	51		92	60	88	27.0	2000
T8L551F		2"	92	60	88	27.0	2000
T8L554	54		100	60	97	30.0	2350
T8L554F		2.1/8"	100	60	97	30.0	2350
T8L555F		2.3/16"	100	60	97	32.0	2350
T8L557	57		100	60	100	32.0	2270
T8L557F		2.1/4"	100	60	100	32.0	2270
T8L558F		2.3/8"	105	60	100	35.0	2350
T8L559F		2.1/2"					



IMPACT SOCKET 8 POINT LONG

IMPACT SOCKET 6 POINT THIN WALL LONG

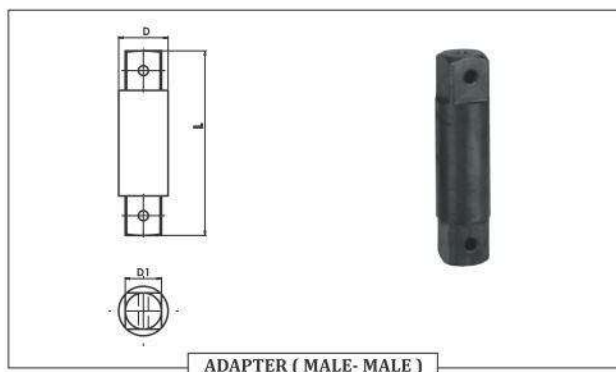
PART NO.	mm	A/F Inch	D1 mm	D2 mm	L mm	T mm	Weight gm
TTL522	22		38	54	100	10.0	780
TTL522F		7/8"	38	54	100	10.0	780
TTL523	23		38	54	100	13.0	780
TTL523F		15/16"	38	54	100	13.0	780
TTL524	24		38	54	100	13.0	780
TTL525	25		41	54	100	13.0	800
TTL525F		1"	41	54	100	13.0	800
TTL526	26		44	54	100	13.0	800
TTL527	27		44	54	100	13.0	800
TTL527F		1.1/16"	44	54	100	13.0	800
TTL528	28		44	54	100	14.0	800
TTL528F		1.1/8"	44	54	100	16.5	800
TTL529	29		44	54	100	16.5	800
TTL530	30		44	54	100	16.5	800
TTL530F		1.3/16"	44	54	100	16.5	800
TTL531	31		49	54	100	17.0	800
TTL531F		1.1/4"	49	54	100	17.0	800
TTL532	32		49	54	100	17.0	800
TTL533	33		49	54	100	17.0	800
TTL533F		1.5/16"	52	54	100	19.0	800
TTL534	34		52	54	100	19.0	800
TTL535	35		52	54	100	19.0	800
TTL535F		1.3/8"	52	54	100	19.0	800
TTL536	36		54	54	100	19.0	950
TTL536F		1.7/16"	54	54	100	19.0	950
TTL537	37		54	54	100	19.0	1100
TTL538	38		57	54	100	22.0	1100
TTL538F		1.1/2"	57	54	100	22.0	1100
TTL539	39		57	54	100	22.0	1100
TTL539F		1.9/16"	57	54	100	22.0	1100
TTL540	40		60	54	100	22.0	1200
TTL541	41		60	54	100	22.0	1200
TTL541F		1.5/8"	60	54	100	22.0	1200
TTL542	42		60	54	100	22.0	1200
TTL542F		1.11/16"	60	54	100	22.0	1200
TTL543	43		63	54	100	25.0	1300
TTL544	44		63	54	100	25.0	1300
TTL544F		1.3/4"	67	54	100	25.5	1500
TTL545	45		67	54	100	25.5	1500
TTL546	46						
TTL546F		1.13/16"					



Automotive Purpose

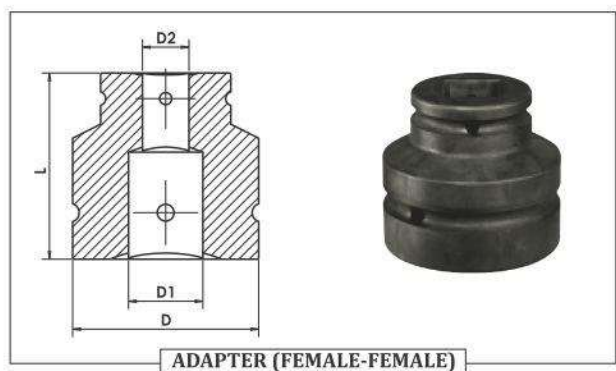
ADAPTER (MALE- MALE)

Part No.	Type	Male	D mm	L mm	Wt (gm)
TA501		1"	33	76	405
TA502		1"	33	101	656
TA503		1"	33	127	735
TA504		1"	33	152	875
TA505	1"D	1"	33	177	985
TA506		1"	33	254	1385
TA507		1"	33	330	2105
TA508		1"	33	381	2465
TA809		1"	33	406	2585
TA510		1"			



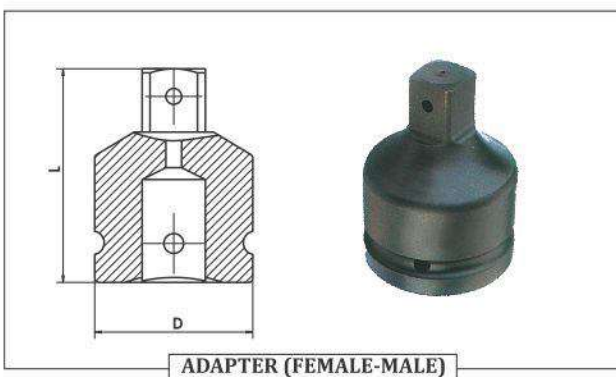
ADAPTER (FEMALE- FEMALE)

Part No.	Type	D1	D2	D mm	L mm	Wt (gm)
TA511		1"	3/4"	54	63	685
TA512	1"D	1"	1"	54	59	755
TA513		1.1/2"	1"	86	83	2055



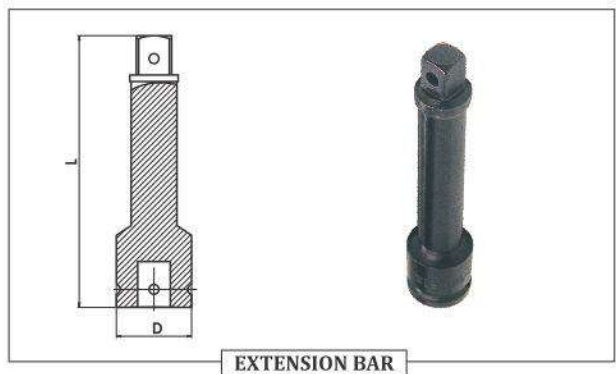
ADAPTER (FEMALE- MALE)

Part No.	Type	Female	Male	D mm	L mm	Wt (gm)
TA514		1"	3/4"	54	77	655
TA515	1"D	1"	1.1/2"	54	58	1005
TA515		1"	SPLINE NO.5	54	110	985



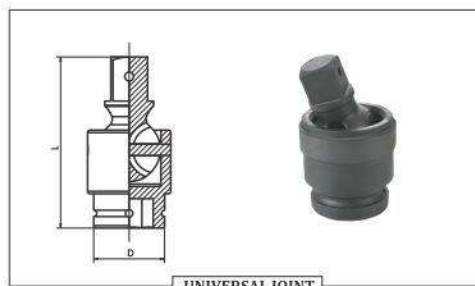
EXTENSION BAR

Part No.	Type	Male	Female	D (mm)	L (mm)	Wt (grm)
TAE517		1"	1"	54	100	875
TAE518		1"	1"	54	125	1155
TAE519	1"D	1"	1"	54	175	1505
TAE520		1"	1"	54	250	2005



UNIVERSAL JOINT

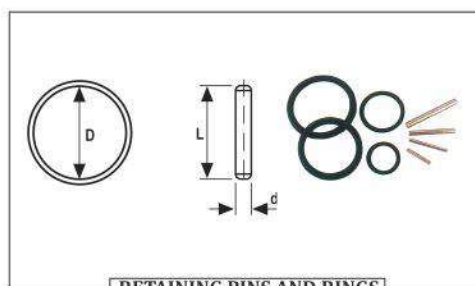
Part No.	Type	Square	D (mm)	L (mm)	Wt (gm)
TAU522	1"D	1"	67	136.5	1600



UNIVERSAL JOINT

RETAINING PINS AND RINGS

Part No.		Type	For Socket		Ring	Pin
Retainig Pin	Ring		Square size	Dia. of Sq end	D mm	L mm
TAP523	TAR526	1"D	1"	54	5	45
TAP524	TAR527		1"	86	5	77
TAP525	TAR528		1"	127	5	118



RETAINING PINS AND RINGS

ACCESSORIES (MANUAL)

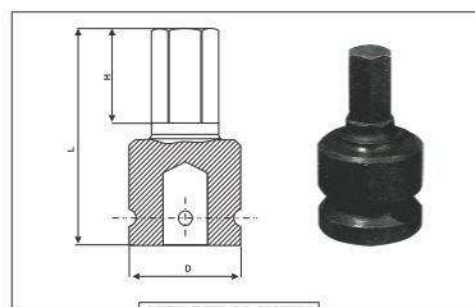
Part No.	Type	Description	Overall Length
TSB-5		T-HANDLE	750
TSH-5	1"D	SWIVEL HANDLE	815
TAH-5		L-HANDLE	600
TRR-5			



ACCESSORIES

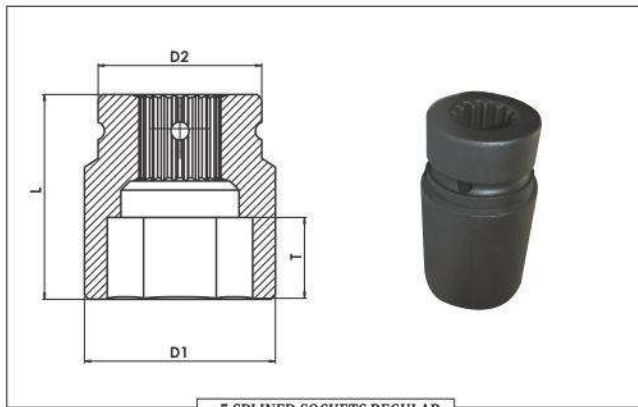
1.1/2" SQUARE DRIVE HEX BIT SOCKETS

Part No.	A/F Inch	A/F mm	L mm	H mm
TH625F	1"	-	140	50
TH628F	1.1/16"	-	140	50
TH630		30	140	50
TH630F	1.1/8"	-	140	50
TH632		32	140	50
TH632F	1.1/4"	-	140	50
TH636	-	36	145	55
TH638F	1.1/2"	-	145	55
TH641	-	41	160	60
TH641F	1.3/4	-	170	70
TH646	-	46	170	70
TH650		50	170	70
	2"	-	170	70



HEX BIT SOCKETS

5" SPLINED SOCKET



5 SPLINED SOCKETS REGULAR

5 SPLINED SOCKETS REGULAR

Part No.	A/F mm	D1 mm	D2 mm	S mm	L mm	T mm
TI919	19	48	56	70	160	14
TI920	20	48	56	70	160	14
TI922	22	48	56	70	160	14
TI924	24	50	56	70	160	16
TI925	25	50	56	70	160	16
TI927	27	52	56	70	160	16
TI928	28	52	56	70	160	16
TI930	30	54	56	70	160	21
TI932	32	60	56	75	160	21
TI933	33	60	56	75	160	21
TI935	35	60	56	77	160	21
TI936	36	63	56	80	160	25
TI938	38	63	56	80	160	25
TI941	41	67	56	80	160	28
TI942	42	73	56	84	160	28
TI944	44	73	56	84	160	28
TI946	46	73	56	84	160	28
TI947	47	73	56	84	160	28
TI948	48	73	56	88	160	28
TI950	50	82	56	88	160	28
TI951	51	82	56	88	160	28
TI955	55	82	56	93	160	30
TI956	56	88	86	96	160	30
TI960	60	88	86	96	160	32
TI962	62	88	86	96	160	32
TI965	65	100	86	100	180	38
TI966	66	100	86	100	180	38
TI970	70	100	86	102	180	40
TI971	71	105	86	102	180	40
TI975	75	105	86	108	180	42
TI976	76	109	86	114	180	42

UNIVERSAL JOINT

PART No.	Size	Head Dia	OAL mm
TIU95	#5	72	190



UNIVERSAL JOINT

MALE ADAPTER

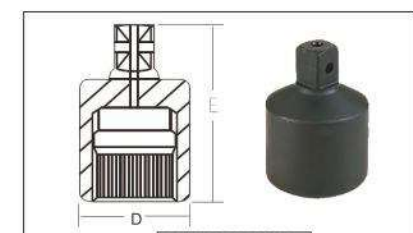
PART No.	Size	D mm	L mm
TSA96	#5 Mx1" F	60	105



FEMALE ADAPTER

FEMALE ADAPTER

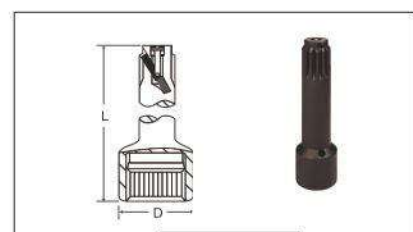
PART No.	Size	D mm	L mm
TA97	#5 Mx1" M	60	90
TA98	#5 Fx1 1/2" M	60	100



FEMALE ADAPTER

EXTENSION BAR

PART No.	Size	D mm	L mm
TE99	42	60	120
TE100	42	60	380



EXTENSION BAR

Note: All the above sizes are available in 6 point Long Length Sockets. To order Long Sockets suffix above part numbers with "L"