

▼ Shown from left to right: RAC508, RAC1506, RAC304, and RAC206



Lightweight for Maximum Portability



Saddles

All RAC cylinders are equipped with bolt-on removable saddles of hardened steel.

13



Lightweight Hand Pumps

Enerpac hand pumps **P392** or **P802** make the optimal lightweight set.

Page: 86

- Composite bearings prevent metal-to-metal contact, increasing cylinder life and resistance to side-loads of up to 10%
- Hard coat finish on all surfaces resists damage and extends cylinder life
- Handles included on all models 30 tons and above
- For protection against load-induced damage, a saddle is standard on all models and a steel baseplate is standard on models 20-ton and above. The steel baseplate is optional only on 10- and 15-ton models
- Integral stop-ring prevents plunger over-travel and is capable of withstanding the full cylinder capacity
- High-strength return spring for rapid cylinder retraction
- CR400 coupler and dust cap included on all models
- All cylinders meet ASME B-30.1 standards

Cylinder Capacity	Stroke*	Model Number	Cylinder Effective Area
tons (maximum)	(in)		(in ²)
10 (9.9)	1.97	RAC102	1.95
	3.94	RAC104	1.95
	5.91	RAC106	1.95
15 (15.4)	1.97	RAC152	3.03
	3.94	RAC154	3.03
	5.91	RAC156	3.03
20 (24.2)	1.97	RAC202	4.83
	3.94	RAC204	4.83
	5.91	RAC206	4.83
	7.87	RAC208	4.83
	9.84	RAC2010	4.83
30 (34.2)	1.97	RAC302	6.85
	3.94	RAC304	6.85
	5.91	RAC306	6.85
	7.87	RAC308	6.85
	9.84	RAC3010	6.85
50 (54.9)	1.97	RAC502	10.99
	3.94	RAC504	10.99
	5.91	RAC506	10.99
	7.87	RAC508	10.99
	9.84	RAC5010	10.99
100 (110.9)	1.97	RAC1002	22.19
	3.94	RAC1004	22.19
	5.91	RAC1006	22.19
	7.87	RAC1008	22.19
	9.84	RAC10010	22.19
150 (175.9)	1.97	RAC1502	35.18
	3.94	RAC1504	35.18
	5.91	RAC1506	35.18
	7.87	RAC1508	35.18
	9.84	RAC15010	35.18

* Custom strokes available.



◀ Enerpac lightweight aluminum RAC506 cylinders are ideal for wet environments such as this tunnel under the river (Holland High-Speed Train Line).

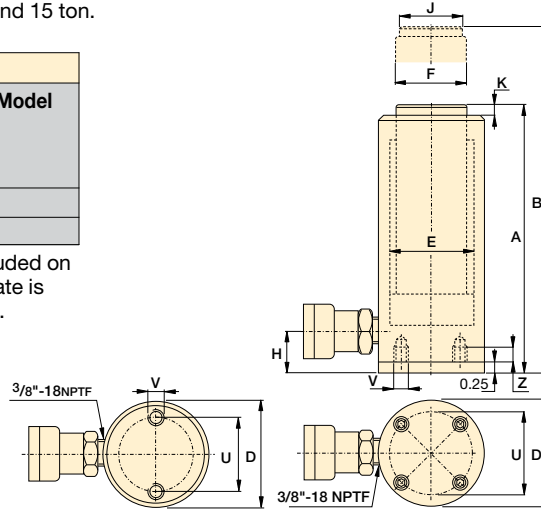
Single-Acting, Spring-Return Cylinders

Optional Tilt Saddle Dimensions (in)			
For Cylinder Model / Capacity (ton)	Tilt Saddle Model Number*	Tilt Saddle Diameter J1	Addition to Collapsed Height A1
RAC20, 30	CATS30	2.17	0.43
RAC50	CATS50	2.80	0.55
RAC100	CATS150	3.82	0.75
RAC150	CATS200	4.96	0.71

* Tilt saddle not available for 10 and 15 ton.

Optional Steel Base Plate	
Cylinder Model / Capacity (ton)	Base Plate Model Number 1)
RAC10	JBA10
RAC15	JBA15

1) Base plate height of 0.25" included on all 20-150 ton models. Base Plate is optional on 10-15 ton cylinders.



RAC102 to RAC156

RAC202 to RAC15010

RAC Series



Capacity:

10 -150 tons

Stroke:

1.97 - 9.84 inches

Maximum Operating Pressure:

10,000 psi



Steel Base Plate

The steel base plate protects the cylinder base from damage, it should not be removed. See warning on page 11.

Oil Capacity (in ³)	Collapsed Height		Extended Height B (in)	Outside Diameter D (in)	Cylinder Bore Diameter E (in)	Plunger Diameter F (in)	Base to Advance Port H (in)	Saddle Diameter J (in)	Saddle Protrusion from Plunger K (in)	Bolt Circle U (in)	Thread V (mm)	Thread Depth 1) Z (in)	Wt. (lbs)	Model Number
	A (in)	B (in)												
3.66	6.06	7.91	2.28	1.57	1.26	0.91	0.94	0.12	1.54	M6	0.47	2.7	RAC102	
7.93	8.03	11.97	2.28	1.57	1.26	0.91	0.94	0.12	1.54	M6	0.47	3.7	RAC104	
11.59	10.00	15.91	2.28	1.57	1.26	0.91	0.94	0.12	1.54	M6	0.47	4.4	RAC106	
6.10	6.34	8.31	2.76	1.97	1.57	0.91	1.14	0.12	1.89	M6	0.47	4.2	RAC152	
12.20	8.31	12.24	2.76	1.97	1.57	0.91	1.14	0.12	1.89	M6	0.47	5.3	RAC154	
17.69	10.28	16.18	2.76	1.97	1.57	0.91	1.14	0.12	1.89	M6	0.47	6.4	RAC156	
9.52	6.85	8.83	3.35	2.48	1.97	1.07	1.58	0.12	2.76	M6	0.47	7.9	RAC202	
19.03	8.82	12.76	3.35	2.48	1.97	1.07	1.58	0.12	2.76	M6	0.47	9.0	RAC204	
28.55	10.79	16.70	3.35	2.48	1.97	1.07	1.58	0.12	2.76	M6	0.47	10.1	RAC206	
38.01	12.76	20.64	3.35	2.48	1.97	1.07	1.58	0.12	2.76	M6	0.47	11.2	RAC208	
47.53	14.73	24.58	3.35	2.48	1.97	1.07	1.58	0.12	2.76	M6	0.47	12.3	RAC2010	
13.49	7.13	9.10	3.94	2.95	2.36	1.31	1.58	0.12	3.15	M6	0.47	9.9	RAC302	
26.99	9.09	13.04	3.94	2.95	2.36	1.31	1.58	0.12	3.15	M6	0.47	11.5	RAC304	
40.48	11.06	16.98	3.94	2.95	2.36	1.31	1.58	0.12	3.15	M6	0.47	13.0	RAC306	
53.91	13.04	20.91	3.94	2.95	2.36	1.31	1.58	0.12	3.15	M6	0.47	14.5	RAC308	
67.40	15.01	24.85	3.94	2.95	2.36	1.31	1.58	0.12	3.15	M6	0.47	16.1	RAC3010	
21.65	7.32	9.90	5.12	3.74	3.15	1.19	1.97	0.12	4.33	M6	0.47	18.7	RAC502	
43.30	9.29	13.24	5.12	3.74	3.15	1.19	1.97	0.12	4.33	M6	0.47	21.6	RAC504	
64.95	11.26	17.17	5.12	3.74	3.15	1.19	1.97	0.12	4.33	M6	0.47	24.5	RAC506	
86.49	13.24	21.11	5.12	3.74	3.15	1.19	1.97	0.12	4.33	M6	0.47	27.3	RAC508	
108.14	15.21	25.05	5.12	3.74	3.15	1.19	1.97	0.12	4.33	M6	0.47	30.2	RAC5010	
43.71	8.71	10.68	7.09	5.32	4.33	1.82	3.70	0.12	5.91	M10	0.47	38.1	RAC1002	
87.43	10.67	14.61	7.09	5.32	4.33	1.82	3.70	0.12	5.91	M10	0.47	43.2	RAC1004	
131.14	12.64	18.55	7.09	5.32	4.33	1.82	3.70	0.12	5.91	M10	0.47	48.3	RAC1006	
174.64	14.61	22.49	7.09	5.32	4.33	1.82	3.70	0.12	5.91	M10	0.47	53.4	RAC1008	
218.35	16.58	26.43	7.09	5.32	4.33	1.82	3.70	0.12	5.91	M10	0.47	58.4	RAC10010	
69.30	9.56	11.53	9.06	6.69	5.51	2.02	4.45	0.12	7.87	M10	0.47	55.8	RAC1502	
138.61	11.53	15.47	9.06	6.69	5.51	2.02	4.45	0.12	7.87	M10	0.47	64.6	RAC1504	
207.91	13.49	19.41	9.06	6.69	5.51	2.02	4.45	0.12	7.87	M10	0.47	73.4	RAC1506	
276.87	15.47	23.34	9.06	6.69	5.51	2.02	4.45	0.12	7.87	M10	0.47	82.2	RAC1508	
346.17	17.44	27.28	9.06	6.69	5.51	2.02	4.45	0.12	7.87	M10	0.47	91.1	RAC15010	